



# Oceanpower

Since 1996

Model No.

**HC118A**

## Soft ice cream machine

Table top, single flavor,  
gravity feed



Air Cooled

Minimum Clearance should be 200mm on left, right, and rear for assuring adequate air flow



Electrical

One dedicated electrical connection is required. Check with local electrician for cord and receptacle specifications if 50 Hz Equipment is desired



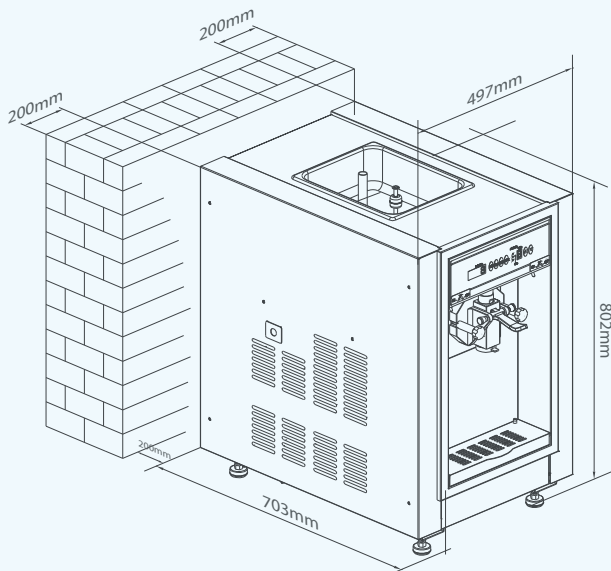
customization

Product customization may be available upon request



Offer all popular soft serve from low or non-fat ice creams to custard, frozen yogurt, and sorbet. This machine only offers single flavor. And motor electric current control for optimal texture and taste.

Learn more at [oceanpowerfood.com](http://oceanpowerfood.com)



## Function illustration



### Microprocessor Regulation

Regulates the entire refrigeration process and maintains consistent product viscosity, adjustable through modifying viscosity between level 1 and level 8 on the front panel.



### Safety Protection

Shuts down for self protection when motor overload or compressor overheat occurs due to power surge or abnormal voltage from power supply.



### Mix low alarm

The low liquid alarm will sound when the hopper is lack of ice cream mix.



### Dispensing Counter

The number of ice creams dispensed is displayed on the front panel each time the discharge handle is pressed.



### Standby Mode

The machine automatically enters standby mode after two hours of inactivity and will resumes normal operation after any keys or handles are pressed.

Weight	lbs.	kgs.
Net	262	119
Total	322	146

Dimensions	in.	mm.
Width	19.6	497
Depth	27.7	703
Height	31.6	802

Electrical	Maximum Fuze Size	Minimum Ampacity	Poles(P) Wires(W)
220-240/50/1	35	15	2P 3W
220-240/60/1	35	15	2P 3W

*These specifications are subject to change without notice as further research and development efforts continuously improve the model.*

## Technical data

<b>Model</b>	<b>Power</b>
HC118A	1350W
<b>Flavors</b>	<b>Main Compressor</b>
single	0.75HP
<b>Production Capacity</b>	<b>Cooling System</b>
18L/H	Air Cooled
<b>Mix Hopper</b>	<b>Refrigerant</b>
6.5L	R404A
<b>Cylinder Power</b>	<b>Options</b>
2L	Cone Dispenser

Shenzhen Oceanpower Ecological Food Science and Technology Co., Ltd.  
 Add: Block C&D, 7&8/F, Bldg. F3.8, Tian'an Cyber Park, Chegongmiao, Shenzhen, China  
 Phone: 86-75583897272  
 Email: info@oceanpower.com

