



Oceanpower

Since 1996

Model No.

OP132BA

Soft ice cream machine Counter Top Twin-Twist with Hopper Cooling



Air Cooled

Minimum Clearance should be 300mm on left, right, and rear for assuring adequate air flow



Electrical

One dedicated electrical connection is required. Check with local electrician for cord and receptacle specifications if 50 Hz Equipment is desired



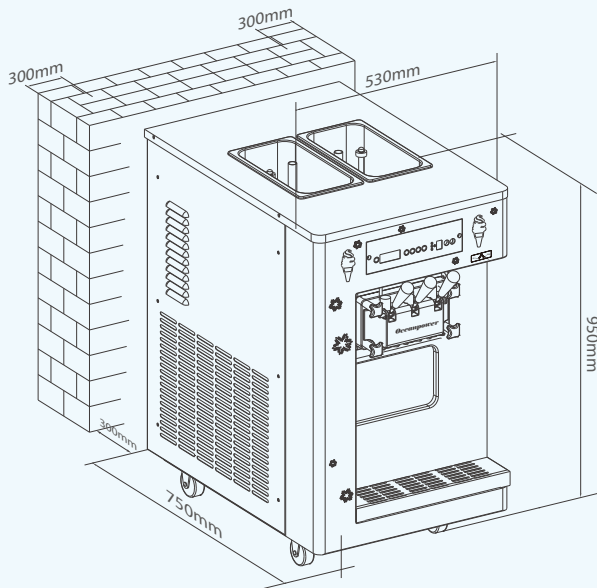
customization

Product customization may be available upon request



Offer all popular soft serve from low or non-fat ice creams to custard, frozen yogurt, and sorbet. Offers two separate flavors and an equal combination of both in a twist. Extremely quiet operation benefited from a frequency inverter together with electric current control for optimal texture and taste.

Learn more at oceanpowerfood.com



Function illustration



Microprocessor Regulation

Regulates the entire refrigeration process and maintains consistent product viscosity, adjustable through modifying viscosity between level 1 and level 8 on the front panel.



Safety Protection

Shuts down for self protection when motor overload or compressor overheat occurs due to power surge or abnormal voltage from power supply.



Mix low alarm

The low liquid alarm will sound when the hopper is lack of ice cream mix.



Dispensing Counter

The number of ice creams dispensed is displayed on the front panel each time the discharge handle is pressed.



Standby Mode

The machine automatically enters standby mode after two hours of inactivity and will resumes normal operation after any keys or handles are pressed.

Weight	lbs.	kgs.
Net	322	146
Total	397	180

Dimensions	in.	mm.
Width	20.9	530
Depth	29.5	750
Height	37.4	950

Electrical	Maximum Fuze Size	Minimum Ampacity	Poles(P) Wires(W)
208-230/60/1	35	15	2P 3W
220-240/50/1	35	15	2P 3W

These specifications are subject to change without notice as further research and development efforts continuously improve the model.

Technical data

Model	Power
OP132BA	2500W
Flavors	Main Compressor
2+1 mixed	1.25HP
Production Capacity	Cooling System
32L/H	Air Cooled
Mix Hopper	Refrigerant
2*6.5L	R404A
Cylinder Power	Options
2*2L	Cone Dispenser

Shenzhen Oceanpower Ecological Food Science and Technology Co., Ltd.
 Add: Block C&D, 7&8/F, Bldg. F3.8, Tian'an Cyber Park, Chegongmiao, Shenzhen, China
 Phone: 86-75583897272
 Email: info@oceanpower.com

